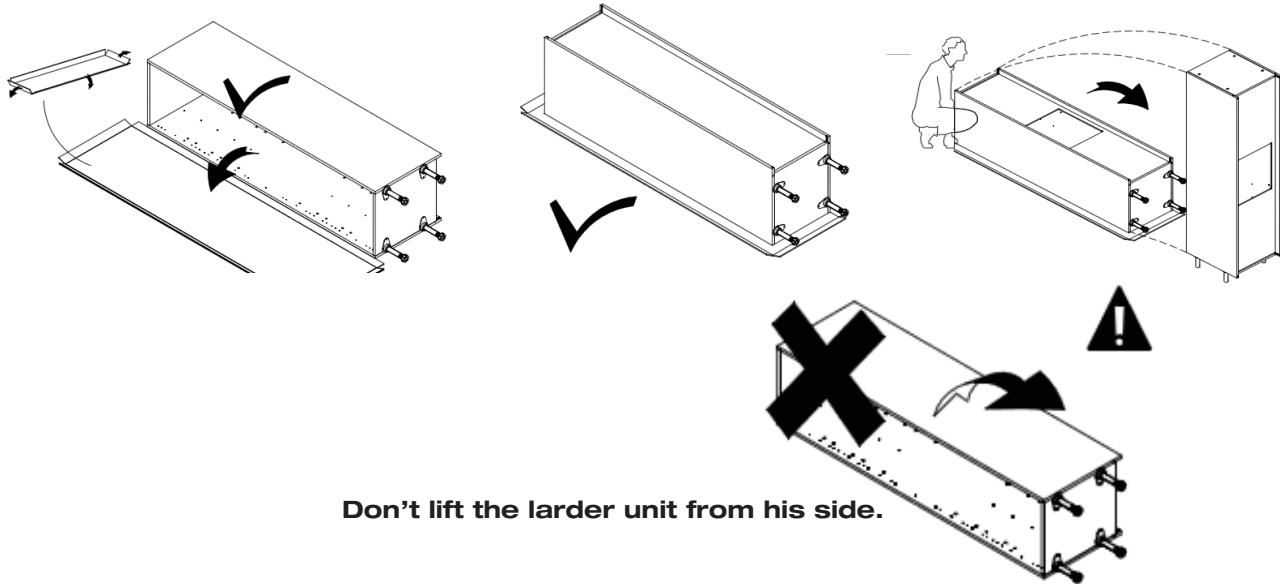


# Tips and tricks on ClicBox

July 2013

## 1. Handling of larder units

Units should be handled with extra care + setup similar to pictures.

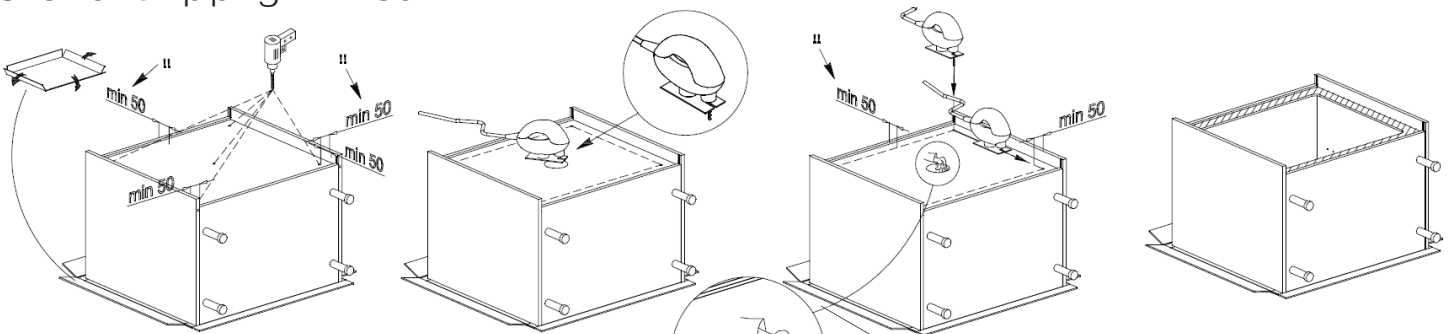


**Don't lift the larder unit from his side.**

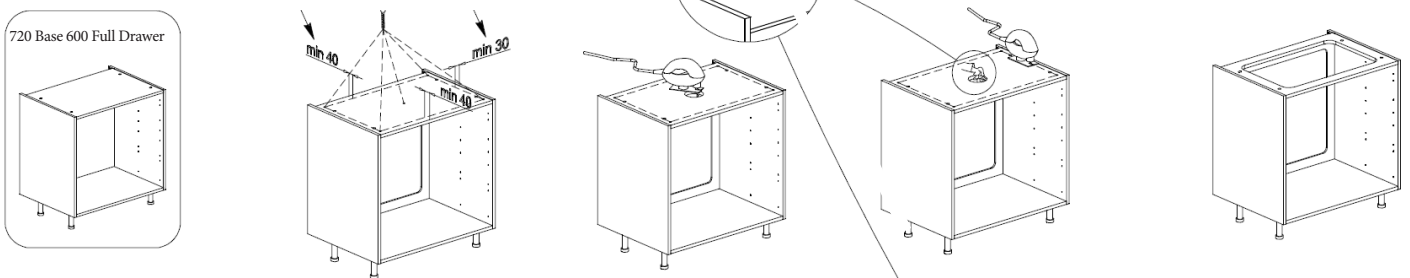
## 2. Cut outs

When cutting a recess, leave a frame around all 4 sides of the panel (see pictures below). After doing cut outs, all units should be handled with extra care.

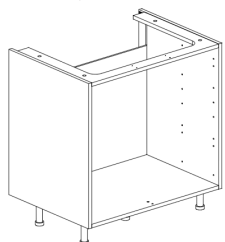
Oven unit + piping: min. 50mm



Sink unit + piping: min. 30-40mm



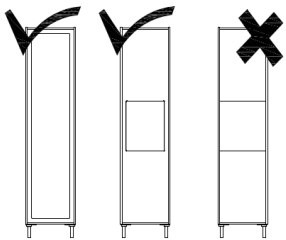
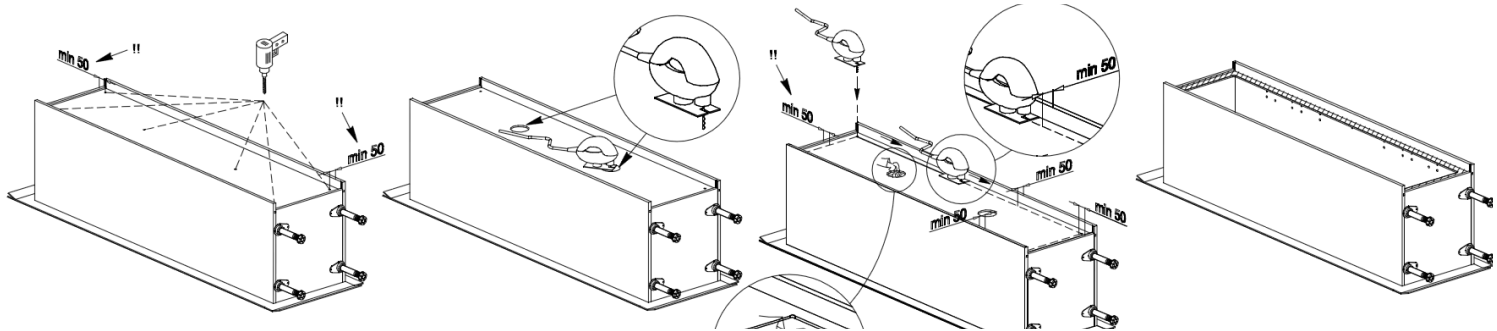
Sink opening > 480mm



# Tips and tricks on ClicBox

July 2013

Fridge unit + oven housing - tall larder: min. 50mm



## 3. Wall cabinet mounting

- » Screw the mounting plates on the wall
- » Hang the wall cabinets on the mounting plates
- » Align the wall cabinet and put them level by adjusting the hanging brackets
- » Screw the wall units together
- » **! Don't screw as long as there's a gap between the cabinets !**

